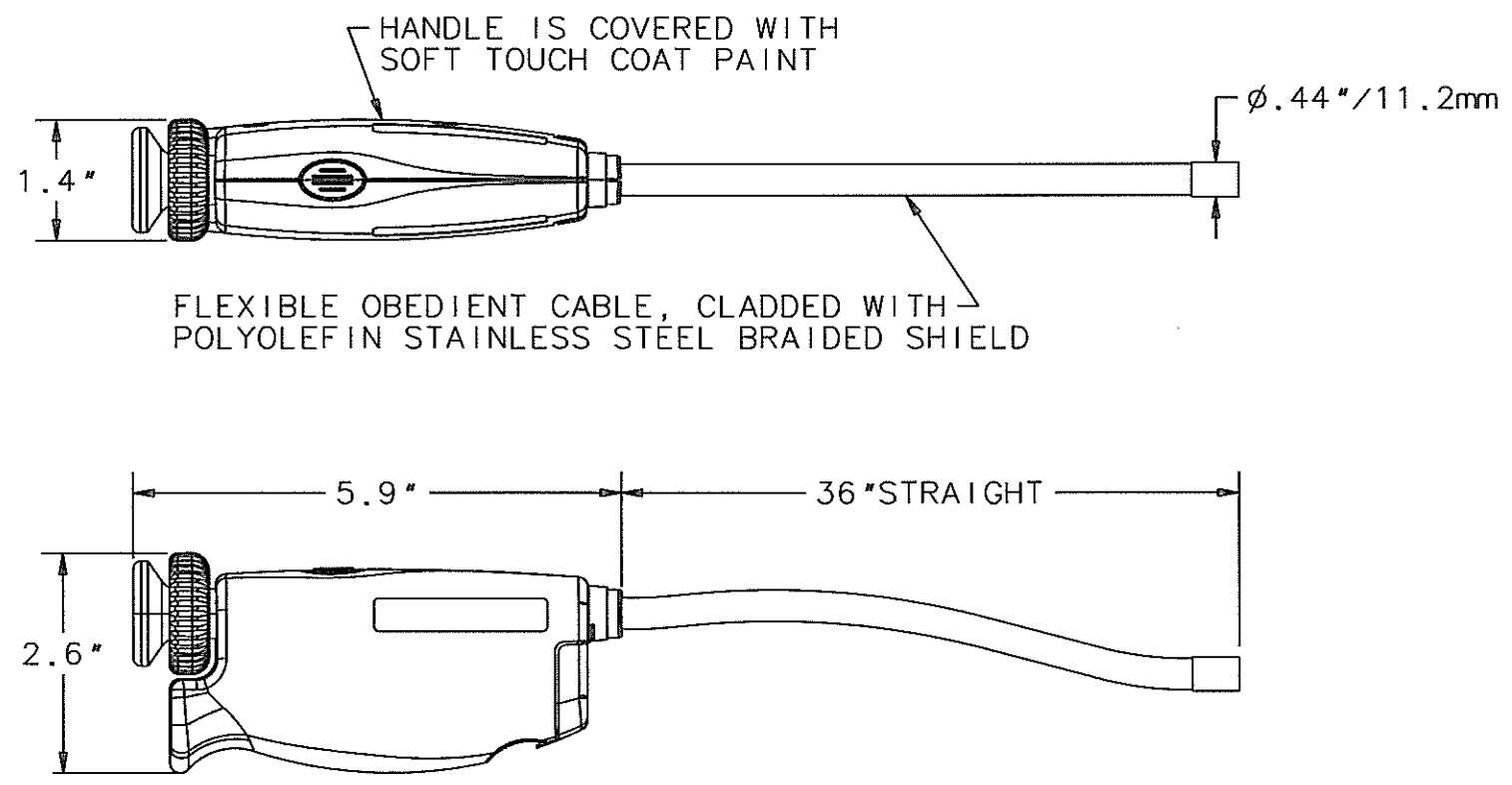


REVISIONS			
REV	ECR NO	DESCRIPTION	DATE
A	24323	NEW RELEASE	04/18/05



FLEXIBLE OBEDIENT CABLE, CLADDED WITH POLYOLEFIN STAINLESS STEEL BRAIDED SHIELD

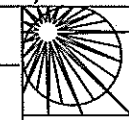
PRECAUTIONS

- AVOID OVER-BENDING THE SHAFT (OVER-BENDING WILL VOID WARRANTY)
- DO NOT SUBMERSE THE HANDLE IN ANY LIQUID
- DO NOT IMMERSE THE SHAFT IN ANY SOLVENT FOR EXTENDED PERIODS
- DO NOT USE IN PROXIMITY OF LIVE ELECTRICAL CIRCUITS
- DO NOT USE IN EXPLOSIVE ENVIRONMENTS
- STORAGE AND OPERATING TEMPERATURES -10° TO +120°F

SPECIFICATIONS

- 2 AA 3.6V LITHIUM BATTERY (INCLUDED)
- LENS END WITH (2) HIGH BRIGHTNESS WHITE LED's
- HIGH RESOLUTION, 7400 PIXEL FIBER OPTIC IMAGE GUIDE
- 40° FIELD OF VIEW
- INFINITE DEPTH OF FIELD
- MOMENTARY ON SWITCH
- INTEGRATED FOCUS RING, ADAPTS TO MOST EYES
- COLORS: BLACK - HANDLE
- BLACK - FOCUS WHEEL, LIGHT SWITCH, BATTERY DOOR

SDRC FILE NAME: B18925

DIM ARE IN INCHES		<input checked="" type="checkbox"/> FOR INSPECTION USE ONLY <input checked="" type="checkbox"/> SPC DOCUMENTATION REQ. (X R CHARTS)	
THIS DWG IS THE PROPERTY OF CHICAGO MINIATURE LAMP, INC. AND IS PROPRIETARY IN GENERAL AND IN DETAIL. IT SHALL NOT BE COPIED OR ITS CONTENTS REVEALED TO OUTSIDE PARTIES WITHOUT THE WRITTEN CONSENT OF CHICAGO MINIATURE LAMP, INC.	DRAWN BY RHW	DATE 04/18/05	PART NO
	CHECKED BY <i>KS</i>	DATE 4-20-05	MODEL NO PV300E
	ENG. APPRV. <i>Dib</i>	DATE 4.21.05	MOLD NO
	UNLESS OTHERWISE SPECIFIED TOLERANCES ON:		MATERIAL
	ANGLE ±1°	FINISH	
		 CHICAGO MINIATURE LAMP, INC 147 CENTRAL AVE. HACKENSACK, NJ 07601	
		TITLE ELITE PROVISION	
		DIST. S	DWG NO B18925 REV A
		SCALE 1:2	SHEET 1 OF 1