

RadonAway™

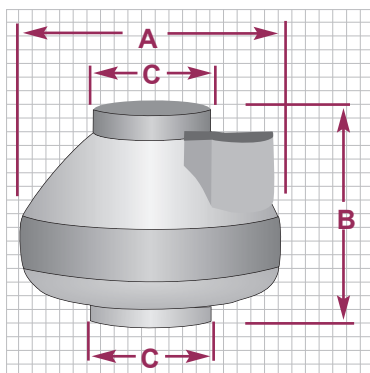
RP Series



Radon Mitigation Fans

Specially designed for radon mitigation, RP Series Fans provide superb performance, run ultra-quiet and are attractive. They are ideal for most subslab radon mitigation systems.

- ◆ 5-Year Warranty backed by Inspect USA
- ◆ Quiet and attractive
- ◆ Thermally protected
- ◆ Motorized impeller
- ◆ ETL Listed - for indoor or outdoor use
- ◆ Meets all electrical code requirements
- ◆ Rated for commercial and residential use



Model	Dimensions		
	A	B	C Duct Size
RP140	9.7"	8.5"	4"
RP145	9.7"	8.5"	4"
RP260	11.75"	8.6"	6"
RP265	11.75"	8.6"	6"



The following chart shows performance of RP Series fans:

Model	Watts	Maximum Pressure "WC	Typical CFM vs. Static Pressure WC				
			0"	0.5"	1.0"	1.5"	2.0"
RP140	17-23	0.8	137	92	-	-	-
RP145	63-74	2.1	188	148	4	63	5
RP260	69-87	1.8	253	179	90	/	-
RP265	3-14	2.5	356	269	398	138	54

Choice of model is dependent on building characteristics including sub-slab materials and should be made by a radon professional.

FOR FURTHER INFORMATION CONTACT:

For more information, contact us at:

800-551-7673 or visit our website at www.inspectusa.com



★ MADE IN USA WITH U.S. AND IMPORTED PARTS.

revised 5/17
0902
P/N 02008